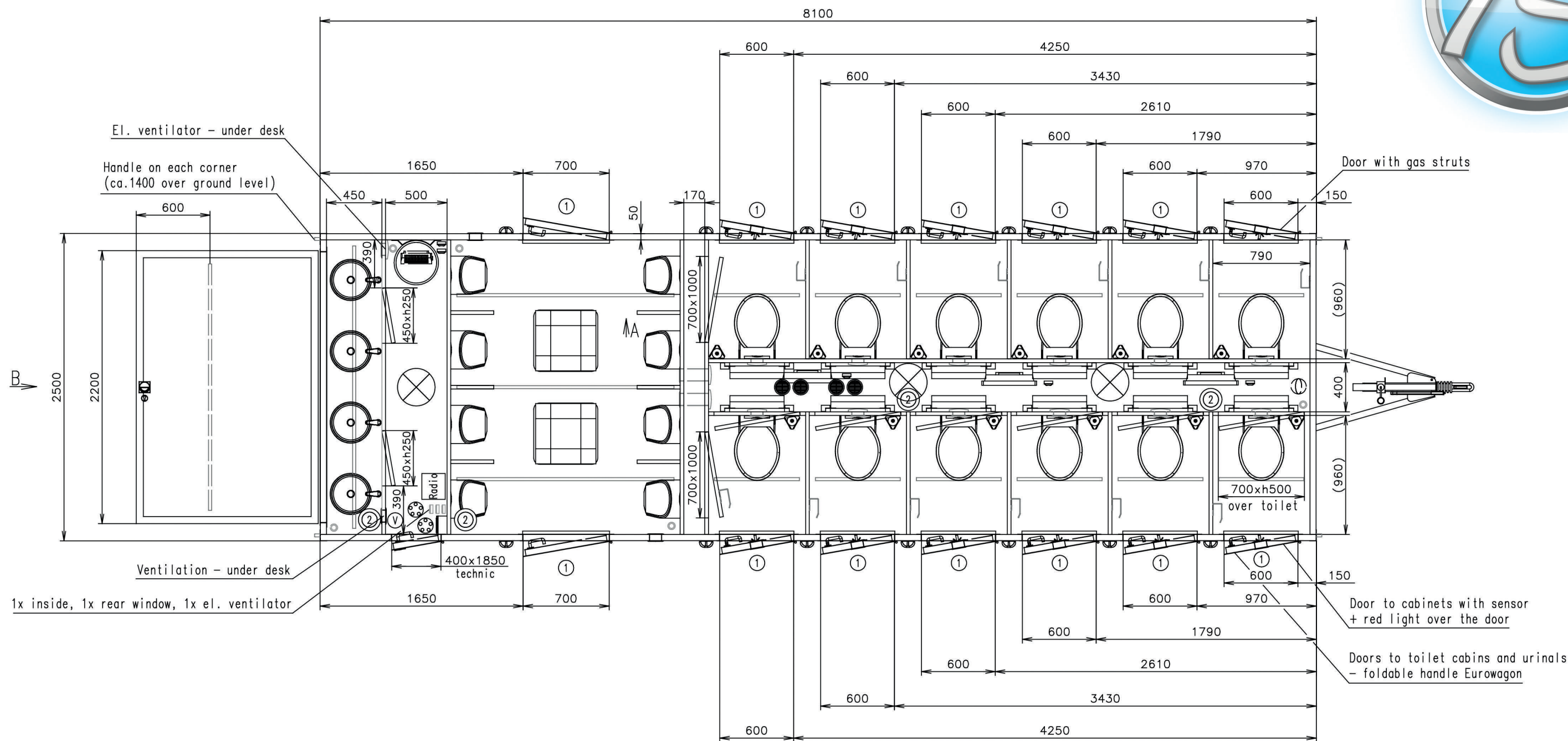


| Connection hoses and cables | |
|-----------------------------|------|
| Water hose: | ✓ |
| Waste water hose: | ✗ |
| Electric cable: | ✓ 2x |



Working desks in waterproof compact desk Egger (dark color)

Divider walls between urinals - decor 0599 SG Orca

External doors - without cylinders Spare wheel - free loaded

Notes: Waste water from sinks and urinals under floor to the connection point

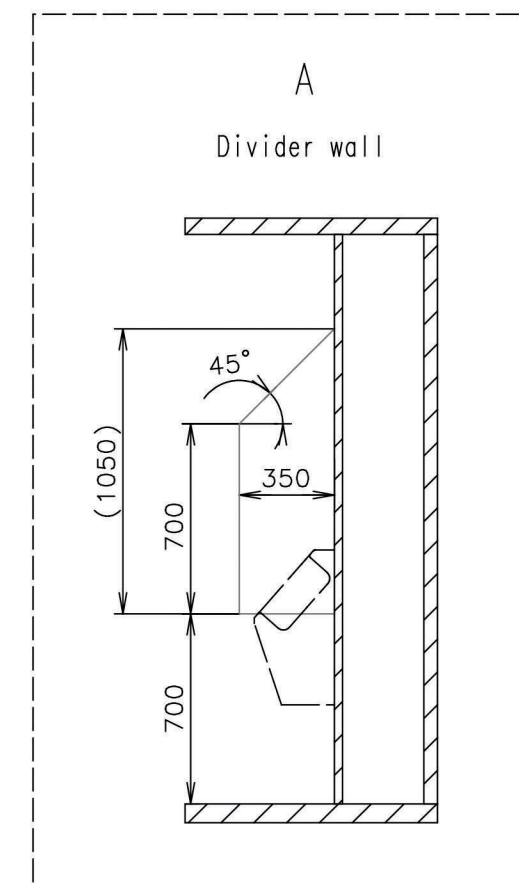
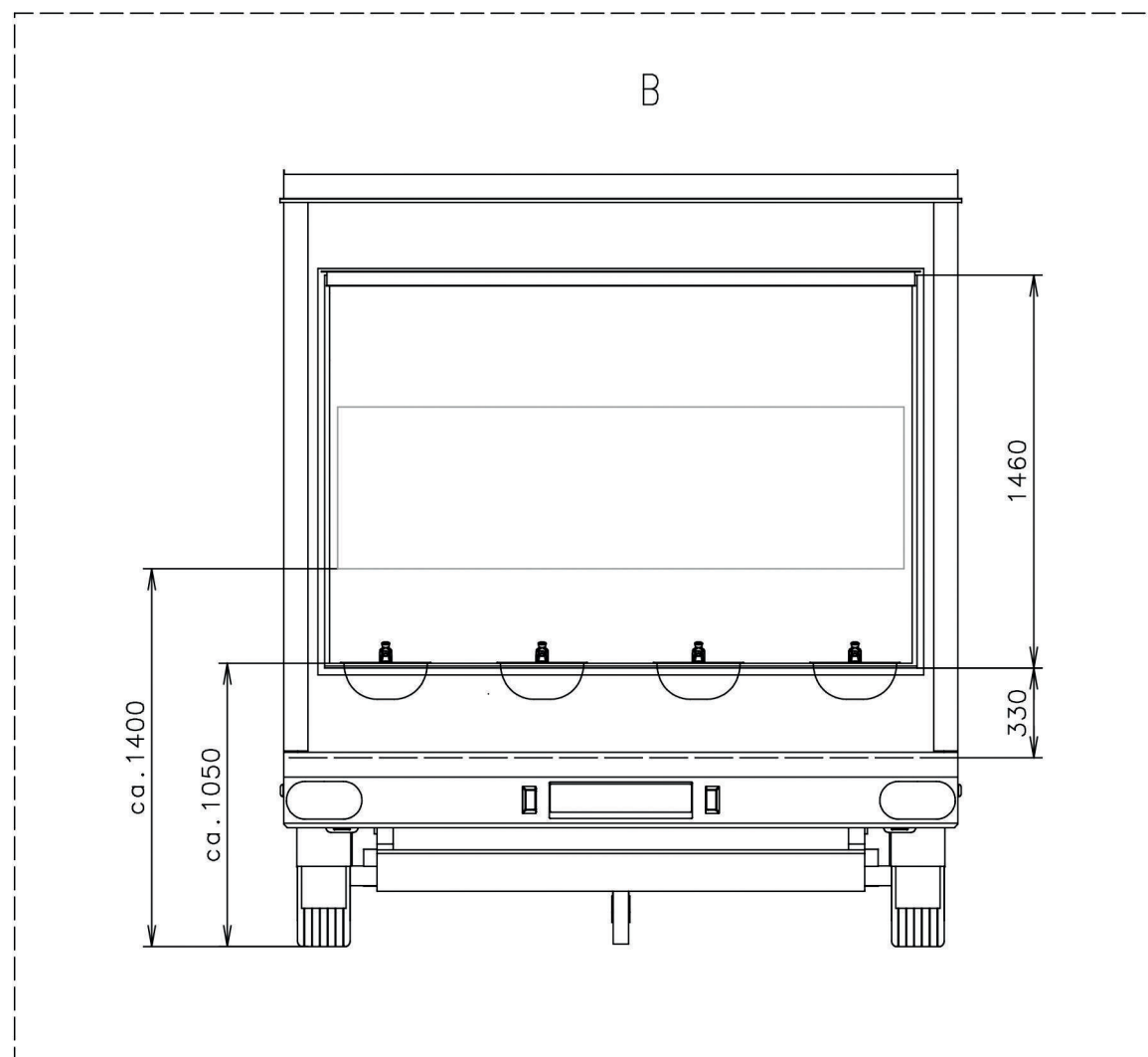
| | | | |
|------------------|--------------------|----------------------------------|-------------|
| Interior height: | 2100 mm | Total weight: | 3500 kg |
| Color: | RAL 7042 (gray) | Tare weight-estimate: | 3200 kg |
| Floor: | PVC Jupiter 148708 | Centre of wheels from rear side: | 4210 mm |
| Date: | 9.1.2018 | Wheels: | 195/50 R13C |

Drawing number:
3181-81-1_1/3 (Sprenger)

(Cabling and piping is not shown on the 3D views and drawings)



| Connection hoses and cables | |
|-----------------------------|------|
| Water hose: | ✓ |
| Waste water hose: | ✗ |
| Electric cable: | ✓ 2x |



Working desks in waterproof compact desk Egger (dark color)

Divider walls between urinals – decor 0599 SG Orca

External doors – without cylinders

Spare wheel – free loaded

Notes: Waste water from sinks and urinals under floor to the connection point

| | | | |
|------------------|--------------------|----------------------------------|-------------|
| Interior height: | 2100 mm | Total weight: | 3500 kg |
| Color: | RAL 7042 (gray) | Tare weight-estimate: | 3200 kg |
| Floor: | PVC Jupiter 148708 | Centre of wheels from rear side: | 4210 mm |
| Date: | 9.1.2018 | Wheels: | 195/50 R13C |

(Cabling and piping is not shown on the 3D views and drawings)

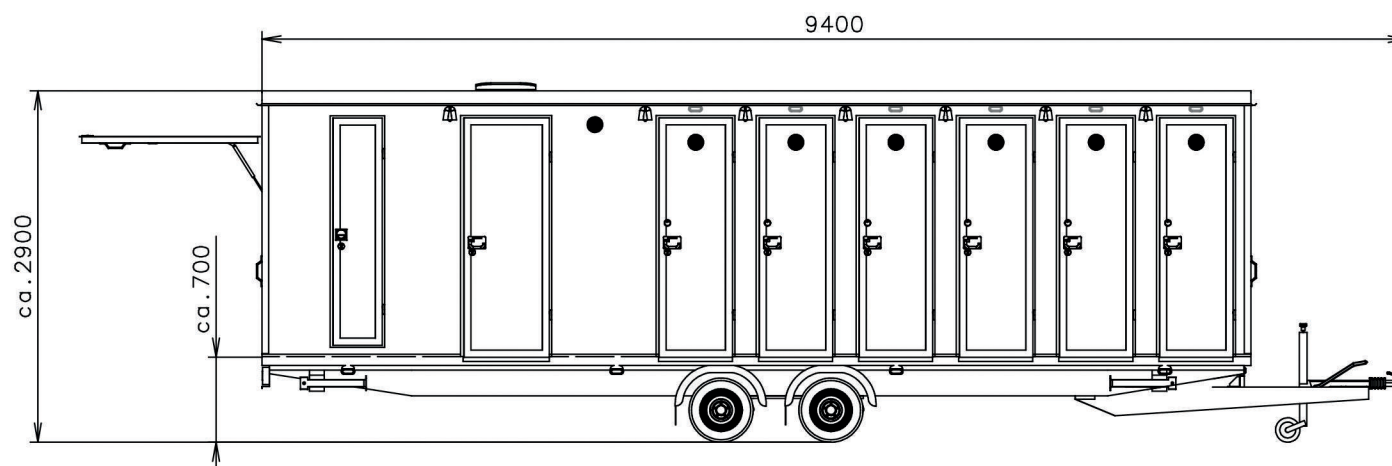


Drawing number:
3181-81-1_2/3 (Sprenger)

| Connection hoses and cables | |
|-----------------------------|------|
| Water hose: | ✓ |
| Waste water hose: | ✗ |
| Electric cable: | ✓ 2x |



- Ⓥ Water connection 3/4" (on the chassis) + filter + reduction valve
- Ⓢ 2x Electric connection (through the floor) (230V-16A) (1x heatings and el. ventilators) (1x the rest)
- Ⓣ Effluent connection ø110 (through floor)
- Ⓜ Power point
- Ⓛ Light switch
- Ⓜ Switch board (1200 over floor)
- ⊗ Sensorlight
- Light LED stripe
- Ⓜ Electric ventilator 230V (with our switch)
- Ⓢ External sensor light
- Ⓜ Heating (500W)
- Ⓜ Heating (750W)
- Ⓢ Floor drain hole
- Ⓢ Sink ø335 (stainless steel) + standard water tap
- Ⓢ Hanging toilet (toilet seat – steel holders)
- Ⓢ Urinal – Vitra Siko (water flush)
- Ⓢ Hot water boiler Slim (30 l)
- Ⓜ Roof window Dometic (400x400)
- Ⓜ Ventilation ø120
- Ⓢ Brush toilet
- Ⓜ Special toilet paper holder
- Ⓢ Clothes hanger
- Mirror (2100 x 600) + black frame around
- ① Foldable stairs Serena
- ② Speaker – in the roof



Working desks in waterproof compact desk Egger (dark color)

Divider walls between urinals – decor 0599 SG Orca

External doors – without cylinders Spare wheel – free loaded

Notes: Waste water from sinks and urinals under floor to the connection point

| | | | |
|------------------|--------------------|----------------------------------|-------------|
| Interior height: | 2100 mm | Total weight: | 3500 kg |
| Color: | RAL 7042 (gray) | Tare weight-estimate: | 3200 kg |
| Floor: | PVC Jupiter 148708 | Centre of wheels from rear side: | 4210 mm |
| Date: | 9.1.2018 | Wheels: | 195/50 R13C |



Drawing number:
3181-81-1_3/3 (Sprenger)

(Cabling and piping is not shown on the 3D views and drawings)