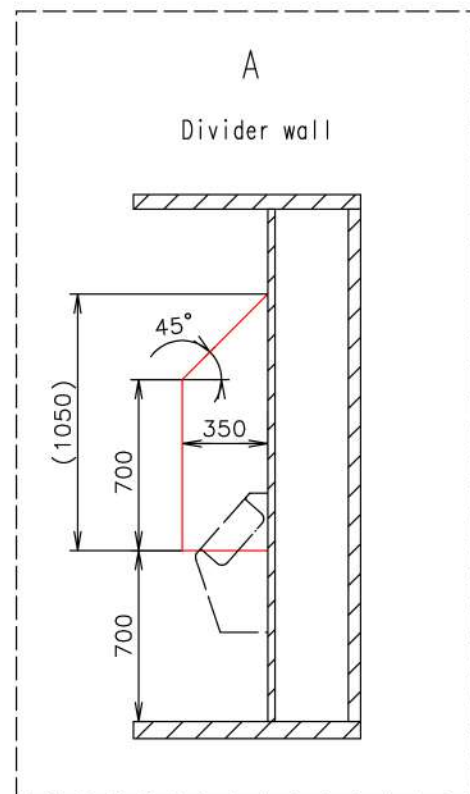
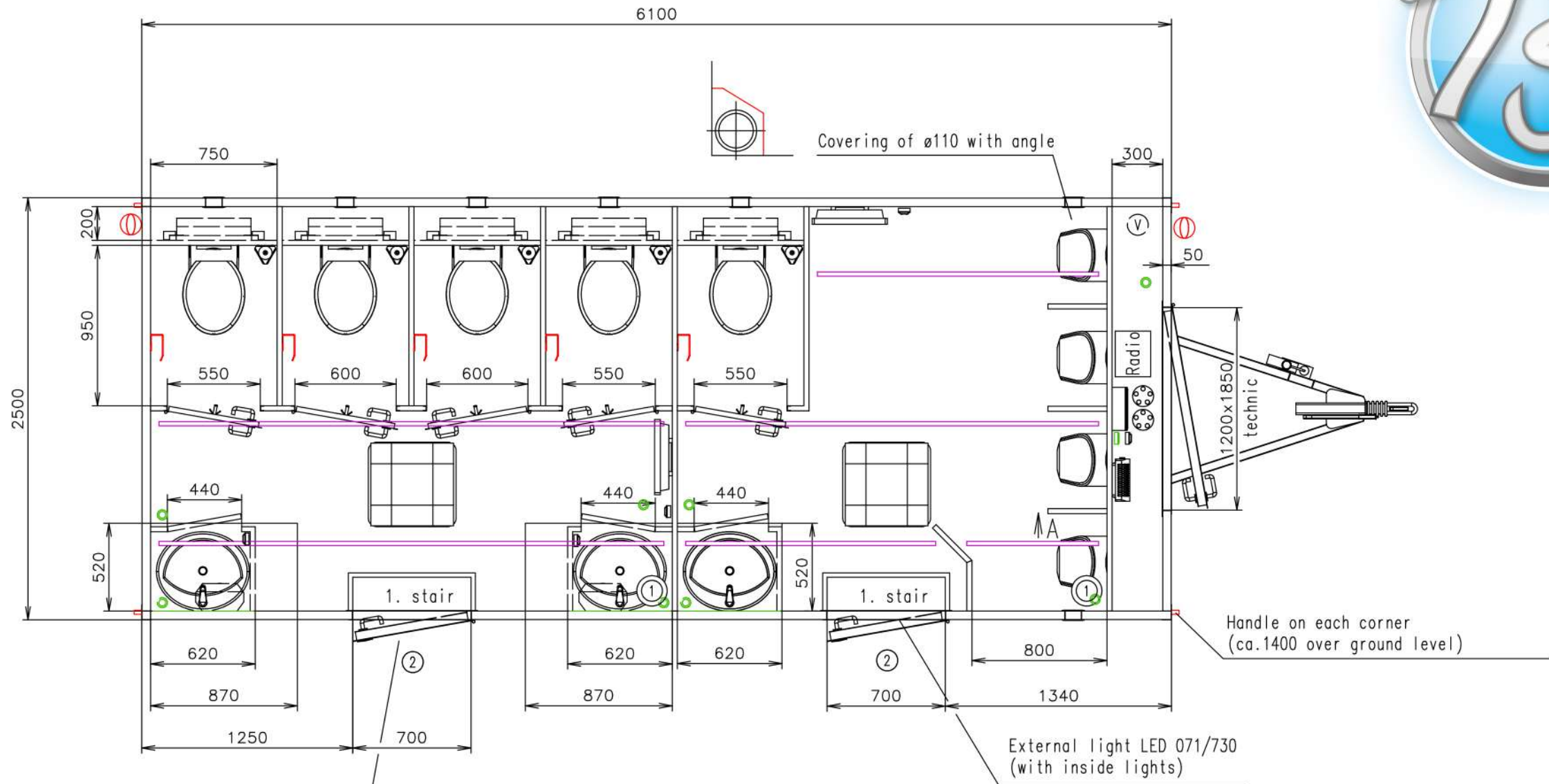
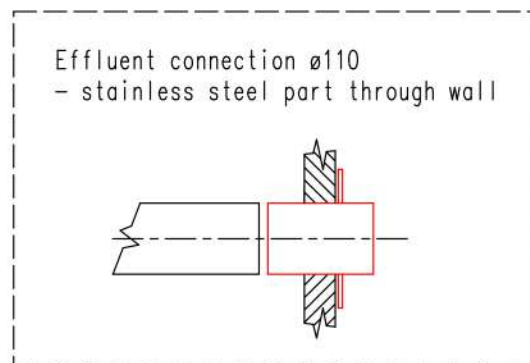
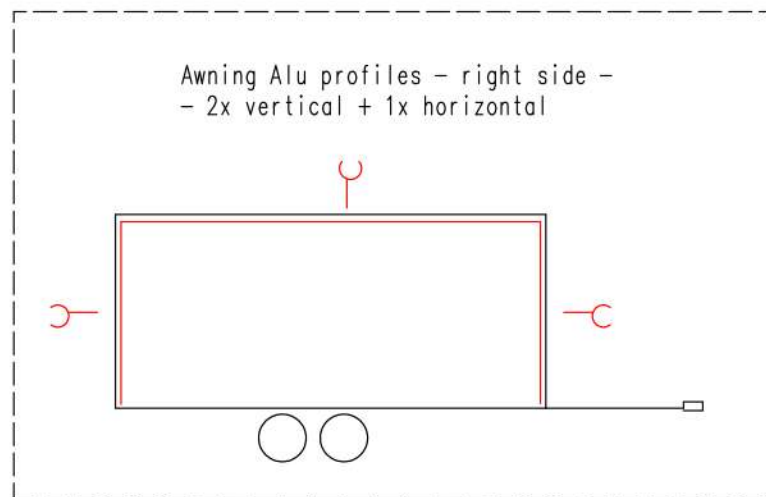


Connection hoses and cables	
Water hose:	✓
Waste water hose:	✗
Electric cable:	✓ 2x



External light LED 071/730  
(with inside lights)



Working desks in waterproof compact desk Egger (dark color)

Interior doors + divider walls in black decor 6515

Notes: External doors - without cylinders Spare wheel - free loaded

Interior height:	2100 mm	Total weight:	2000 kg
Color:	RAL 7042 (gray)	Tare weight:	1990 kg
Floor:	PVC Jupiter 148708	Centre of wheels from rear side:	2990 mm
Date:	18.12.2017	Wheels:	155 R13



Drawing number:  
2557-61-2\_1/2 (Sprenger)

(Cabling and piping is not shown on the 3D views and drawings)

Connection hoses and cables	
Water hose:	✓
Waste water hose:	✗
Electric cable:	✓ 2x



Ⓥ Water connection 3/4" (on the chassis) + filter + reduction valve

Ⓢ 2x Electric connection (through the floor) (230V-16A) (1x heating) (1x the rest)

Ⓣ 2x Effluent connection ø110 (through wall) - stainless steel part

Ⓜ Power point

Ⓛ Light switch

Ⓜ Switch board (1200 over floor)

— Light LED stripe

Ⓜ Heating (500W)

Ⓜ Heating (750W)

Ⓢ Floor drain hole

Ⓜ Ventilation ø120

Ⓜ Wash-basin (built-in) Multi 1690 (550x470) + standard water tap

Ⓜ Hanging toilet (toilet seat - steel holders)

Ⓜ Urinal - Vitra Siko (water flush)

Ⓜ Hot water boiler Wterm FHN (5l)

Ⓜ Roof window Dometic (400x400)

Ⓜ Brush toilet

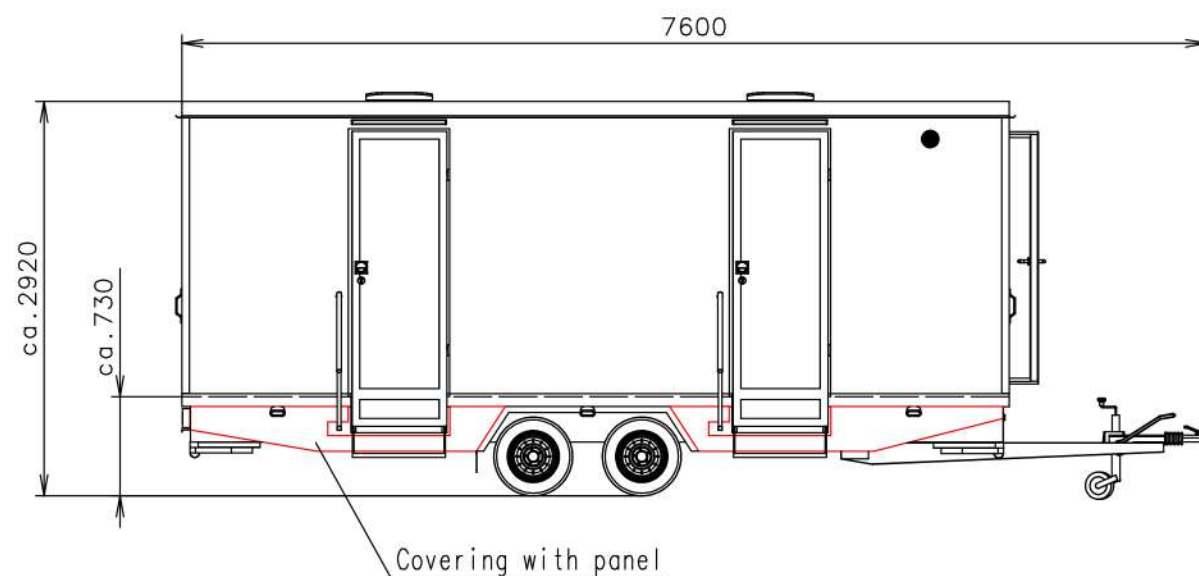
Ⓜ Special toilet paper holder

Ⓜ Clothes hanger

— Mirror (600x600) + black frame around

① Speaker

② Foldable stairs Fiona (update on fixing of stair) + stainless steel handrail



(Cabling and piping is not shown on the 3D views and drawings)

Working desks in waterproof compact desk Egger (dark color)

Interior doors + divider walls in black decor 6515

Notes: External doors - without cylinders Spare wheel - free loaded

Interior height:	2100 mm	Total weight:	2000 kg
Color:	RAL 7042 (gray)	Tare weight:	1990 kg
Floor:	PVC Jupiter 148708	Centre of wheels from rear side:	2990 mm
Date:	18.12.2017	Wheels:	155 R13



Drawing number:  
2557-61-2\_2/2 (Sprenger)